

LED Exterior Recessed

ER72001-12V

INSTALLATION SHEET

START FROM HERE

- Make sure **POWER** is **COMPLETELY OFF** at the fuse box
- Have your fixture installed by a qualified licensed electrician
- Prepare everything in a clear area
- Wear gloves at all time during this installation
- Read instructions carefully before you start assembly
- Keep this installation sheet for future reference

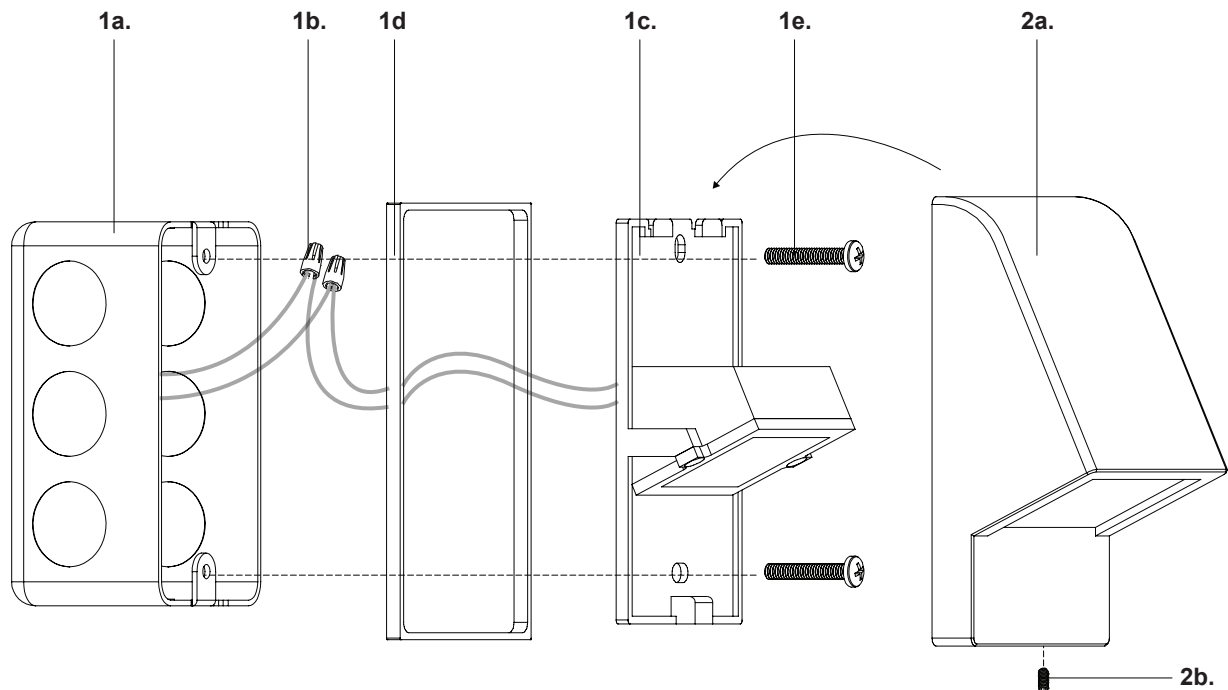
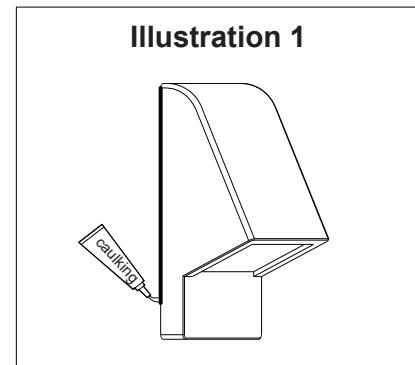
Technical Support: 1-855-855-8926

Please Note:

- This Kuzco LED fixture comes with pre-wired LED module(s)
- Unless instructed, Do Not touch any part of the LED module(s) as any unnecessary contact with the module could cause permanent damage
- 12V DC input with Class 2 LED Driver (Driver supplied by others)

1. Remove fixture from its original package
2. Separate backplate (1c) from fixture (2a) by removing fixture screw (2b)
3. Attach backplate (1c) to electrical junction box (1a) using junction box screws provided (1e) in hardware package
4. Make low voltage wire connection by connecting fixture wire to 12V low voltage input wire with wire nuts supplied (1b)
5. Align the gasket (1d) provided before securing the fixture (2a) to the backplate (1c). Attach fixture (2a) to backplate (1c) and secure with fixture screw (2b)

6. To prevent moisture from entering the electrical junction box (1a) and causing a short, seal around the top and side perimeter between the fixture and the wall surface with weather resistant caulking (See Illustration 1). The space at the bottom should be left un-caulked to prevent moisture build up.



KUZCO

19054 28th Avenue Surrey, BC Canada V3Z 6M3
T: 604 538 7162 TF: 1-855 85 KUZCO F: 604 538 7196
W: kuzcolighting.com
20230109